

PRIZEWHEEL

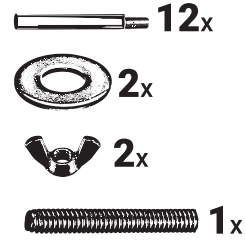
ASSEMBLY INSTRUCTIONS

⚠ WARNING: CHOKING HAZARD
Small parts. Not for children under 3 yrs.

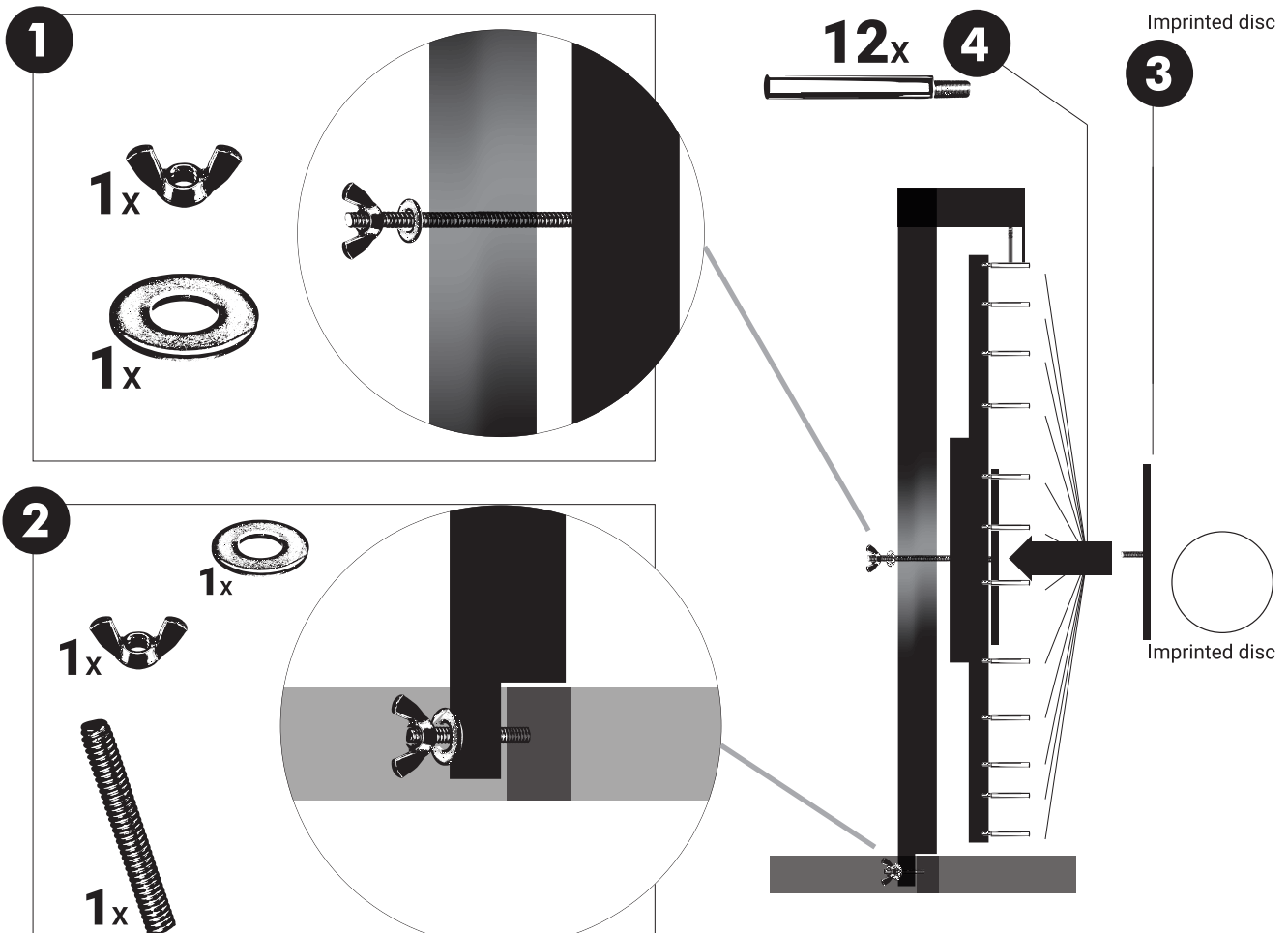
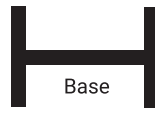
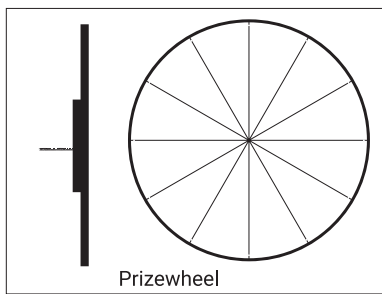
Directions

- 1.) Push the threaded rod, located on back of the wheel, through the neck. Add a washer, followed by a wing nut and tighten.
- 2.) Fasten base to neck using the supplied, threaded dowel and one wing nut and a washer.
- 3.) Screw imprinted disc onto front of large wheel
- 4.) Screw all 12 threaded pegs into the holes around the circumference of the large wheel.

Included hardware



Parts



To clean: Use gentle mixture of soap and water to dampen a rag. Do not soak. Do not submerge. Wipe dry.